



# HILDITCH ENTERPRISES

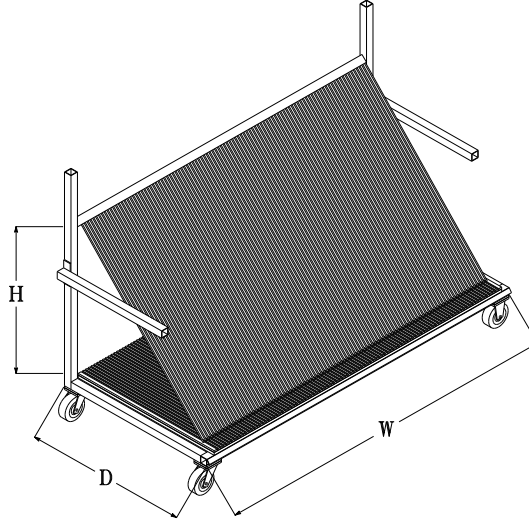
**Glass Machinery Specialists**

2834 Hamner ave #216, Norco, CA 92860

Tel: 951-734-0292

[sales@hilditchenterprises.com](mailto:sales@hilditchenterprises.com)

[www.hilditchenterprises.com](http://www.hilditchenterprises.com)



"L" Frame Harp Rack  
(For Residential Window Lite Storage)

Model #	Width "W"	Depth "D"	Height "H"	# Slots	Slot Width	Land Width	Caster s	Floor
HE-100	93 5/16"	44"	38 1/2"	100	7/16"	7/16"	6"	HDPE
HE200- DS Double String	93 5/16"	47"	38 1/2"	100	7/16"	7/16"	6"	HDPE
HE-300	84 5/8"	44"	38 1/2"	90	7/16"	7/16"	6"	HDPE
HE-400	75 13/16"	44"	38 1/2"	80	7/16"	7/16"	6"	HDPE
HE-500	58 1/4"	38"	32"	60	3/8"	1/2"	6"	HDPE
HE-600	49 1/2"	38"	32"	50	7/16"	7/16"	6"	HDPE
HE-1000	93 5/16"	47"	38"	100	7/16"	7/16"	6"	HDPE
HE- 1000A	93 5/6"	47"	66"	100	7/16"	7/16"	6	HDPE
HE- 1000B	93 5/16"	47"	48"	100	7/16"	7/16"	6"	HDPE
HE-1600	80 1/16"	48"	50"	100	5/16"	7/16"	6"	HDPE
HE-1700	58 1/4"	38"	32"	60	3/8"	1/2"	6"	HDPE
HE-1800	72"	47"	38 1/2"	60	5/8"	7/16"	6"	HDPE

Racks are shipped vertically nested. Minimum order quantity is 2 racks.

HE-1900	81"	36"	38 1/2"	75	1/2"	1/2"	6"	HDPE
HE-2000	100"	47"	46 1/2"	100	7/16"	1/2"	6"	PVC
HE-2100	109 "	47"	46 1/2"	100	9/16"	7/16"	6"	PVCE
HE-2400 Double String	65"	44"	42"	50	5/8"	5/8"	6	HDPE